

698-2700MHz Power Splitter

Description:

Power splitters are passive devices for cellular band in Intelligent Building System (IBS), which are required to split/divide equally the input signal into multiple signals at separate output ports to enable balancing-out the power budget of the network.

Xtra's RF power Splitters of cavity types are characterized by low VSWR, low insertion loss, low PIM value, high power capacity and performance stability.

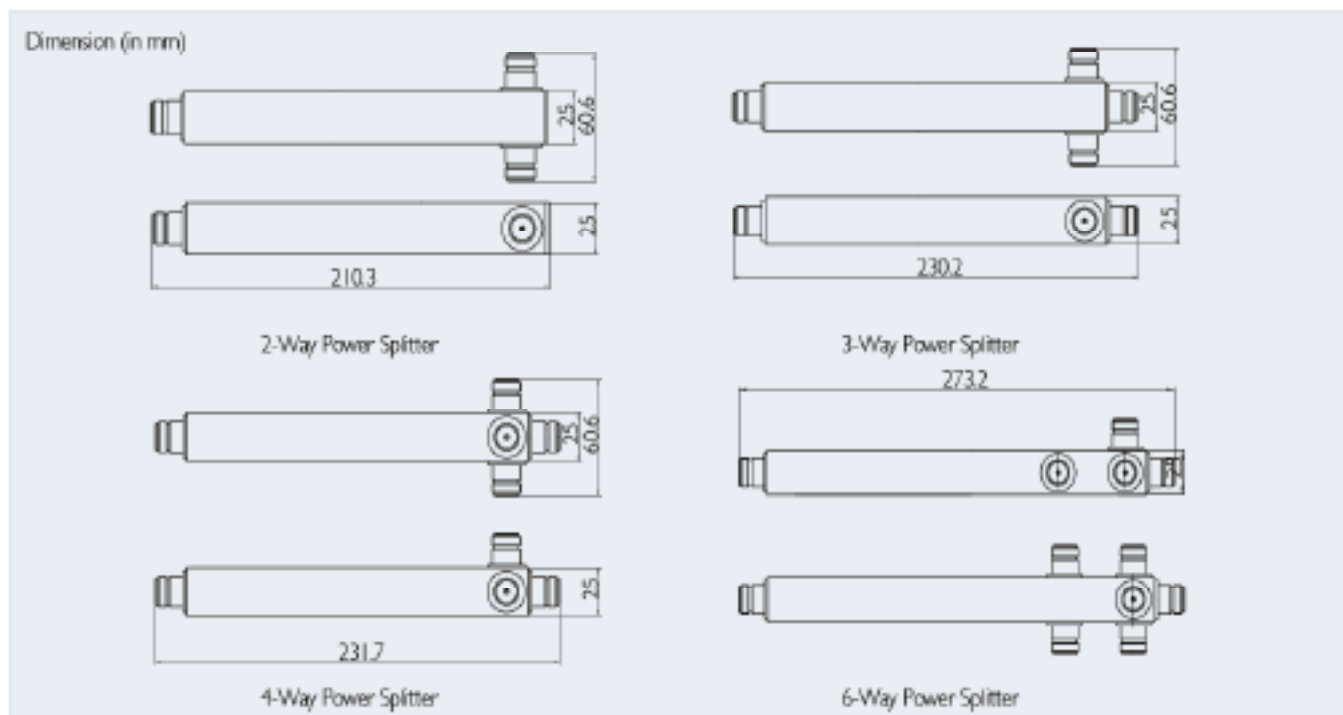
Widely used for Cellular DCS/CDMA/GSM/2G/3G/WIFI/WIMAX applications.



(MSTE-N7027A-2/3/4/6-150)

Technical Parameters:

Part No.	MSTE-N7027A-2-150	MSTE-N7027A-3-150	MSTE-N7027A-4-150	MSTE-N7027A-6-150
Frequency Range(MHz)	696-2700			
Way No.	2	3	4	6
Split Loss(dB)	3.0	4.8	6.8	8.3
VSWR	≤1.25	≤1.25	≤1.3	≤1.3
Insertion Loss(dB)	≤0.1	≤0.2	≤0.3	≤0.3
In-band Ripple(dB)	0.3	0.4	0.5	0.5
PIM3(dBc)	≤-150dB+43dBmX2			
Impedance(Ω)	50			
Power Rating(W)	200			
Connector	N-F			
Application	Outdoor,IP65			
Temperature Range(℃)	-30~+70			



698-2700MHz Directional Coupler

Description:

Directional Couplers are passive devices used in the field of radio technology, which are used to unequally couple a defined amount of the electromagnetic power in a transmission mainline to a coupler port enabling the signal to be used in another circuit, an essential feature of directional couplers is that they only couple power flowing in one direction.

Xtra's direction coupler cavity types are characterized by low VSWR, low insertion loss, low PIM value, high power capacity and performance stability.

Widely used for DCS/CDMA/GSMUNITS/WIFI/WIMAX applications.

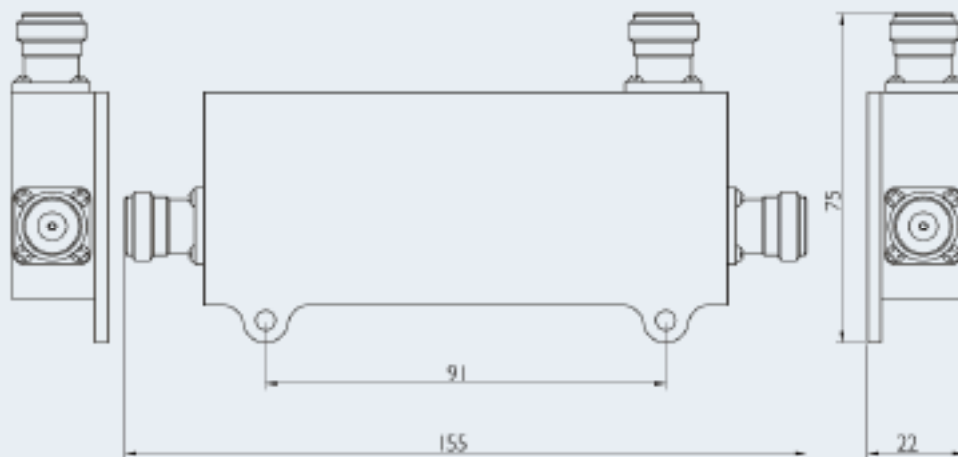


(MCPE-N7027A-X-150)

Technical Parameters:

Part No.	MCPE-N7027A-X-100								
Frequency Range(MHz)	690-2700								
Coupling(dB)	5	6	7	8	10	15	20	25	30
In-band Ripple(dB)	±0.8	±0.8	±0.8	±0.8	±1.0	±1.0	±1.0	±1.0	±1.0
VSWR	≤1.2								
Insertion Loss(dB)	≤2.0	≤1.6	≤1.36	≤1.1	≤0.7	≤0.4	≤0.3	≤0.2	≤0.2
Isolation (dB)	≥25	≥26	≥27	≥28	≥30	≥36	≥40	≥45	≥50
FIM3(dBc)	≤-150dB+43dBmX2								
Impedance(Ω)	50								
Power Rating(W)	300								
Connector	N-F								
Application	Outdoor,IP65								
Temperature Range(°C)	-40~+85								

Dimension (in mm)



Hybrid Coupler

Description:

3dB Hybrid couplers, 2 in/2 out, are passive devices used in the field of radio technology, which are used both to equally split an input signal with a resultant 90 degree phase shift between output ports and to combine two signals while maintaining high isolation between the two input ports.

Xtra's Hybrid couplers are characterized by low VSWR, low insertion loss, low PIM value, high power capacity and performance stability.

Widely used for Cellular DCS/CDMA/GSM/UMTS/WIFI/WIMAX etc.

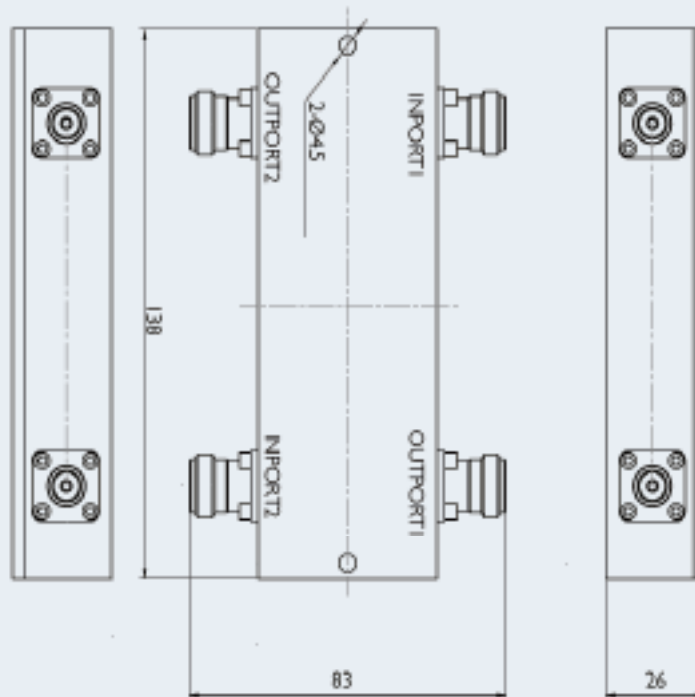


(MHCE-N7027A-150)

Technical Parameters:

Part No.	MBCE-N8025A-150	MBCE-N8027A-150	MBCE-N7027A-150
Frequency Range(MHz)	600-2500	600-2700	698-2700
Insertion Loss(dB)	3.5	3.5	3.5
In-band Ripple(dB)	±0.5	±0.5	±1
VSWR	≤1.2	≤1.2	≤1.2
Isolation(dB)	≥25	≥23	≥23
PIM3(dBc)	≤150@+43dBmX2	≤150@+43dBmX2	≤150@+43dBmX2
Application	Outdoor,IP65	Outdoor,IP65	Outdoor,IP65
Impedance(Ω)	50	50	50
Power Rating(W)	200	200	200
Connector	N-F	N-F	N-F
Tem	-30~+70	-30~+70	-30~+70

Dimension (in mm)



Termination Load

Description:

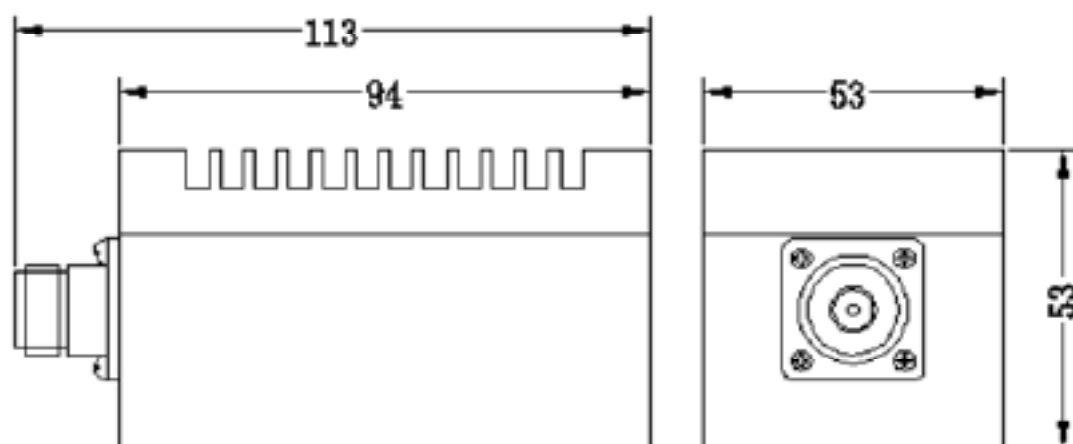
Termination Loads, also called dummy loads, are the passive 1-port interconnect devices, which provide a resistive power termination to properly terminate the output port of a device or to terminate one end of an RF cable.

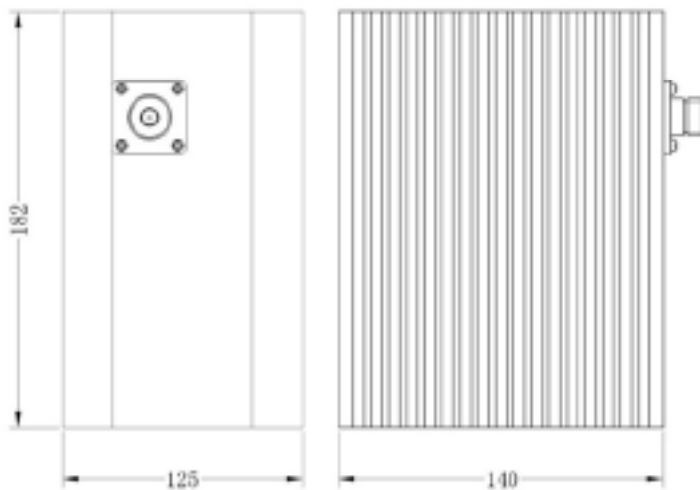
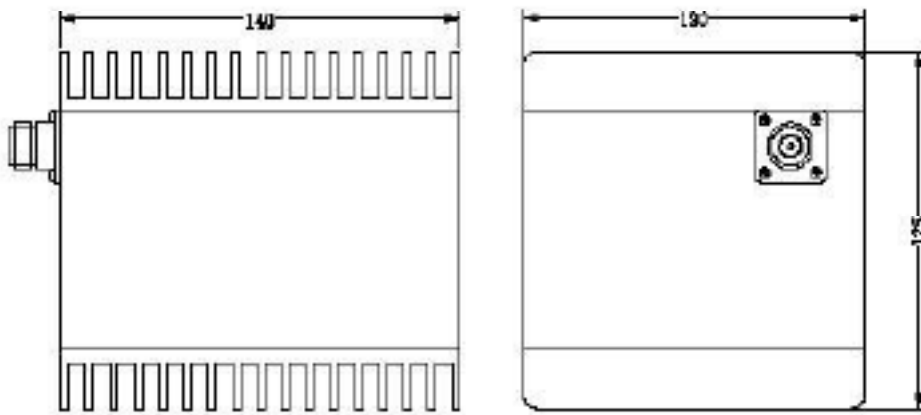
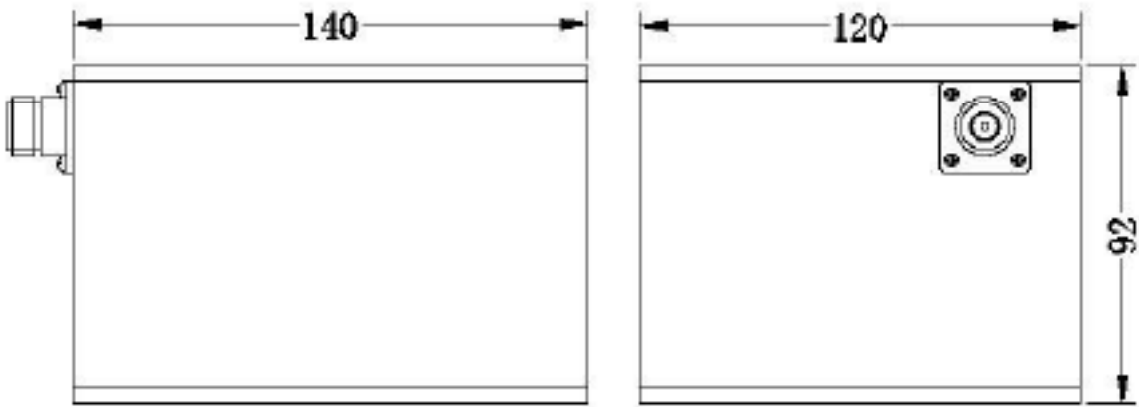
Xtra's Termination loads are characterized by low VSWR, high power capacity and performance stability.

Widely used for Cellular DCS/CDMA/GSM/UMTS/WIFI/WIMAX/LTE etc.

Technical Parameters:

Specifications	—			
Frequency(MHz)	0-3G			
Max Power(W)	5	50	100	200
VSWR	≤1.2			
PIM3 (dBc)	≤-150dBc(43dBm×2)			
Impedance(Ω)	50			
Connector Type	NK			
Operating Temperature(°C)	-55°C ~ +125°C			
Size (mm)	94×53×53	140×120×92	140×120×125	182×125×140
Humidity	95%			





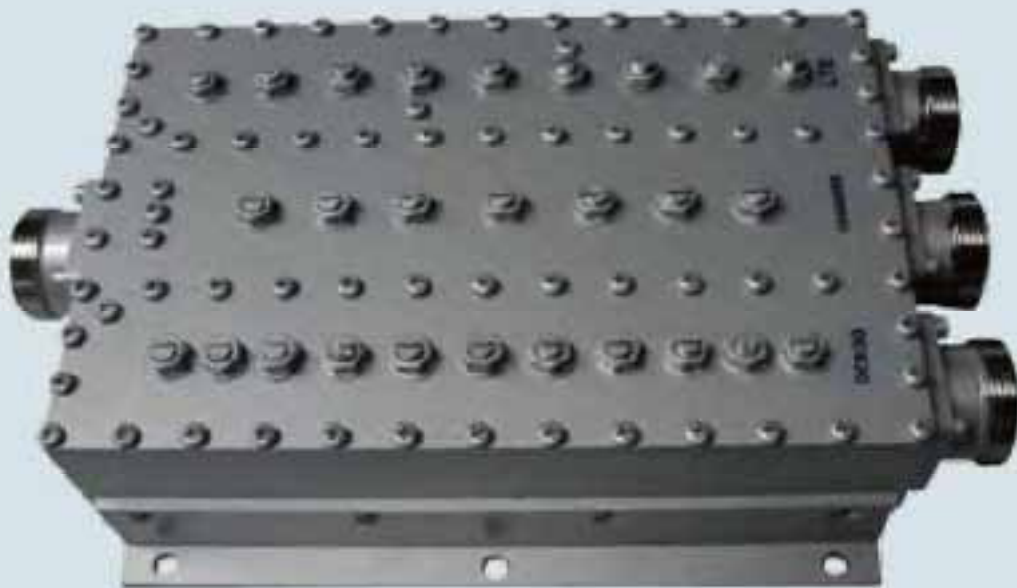
Triplexers

Description:

Triplexers are passive devices used in the field of radio technology, they are used to combine the signal from a number of different input ports to a single output port.

Xtra's triplexers are characterized by low VSWR, low insertion loss, low PIM value, high isolation and performance stability.

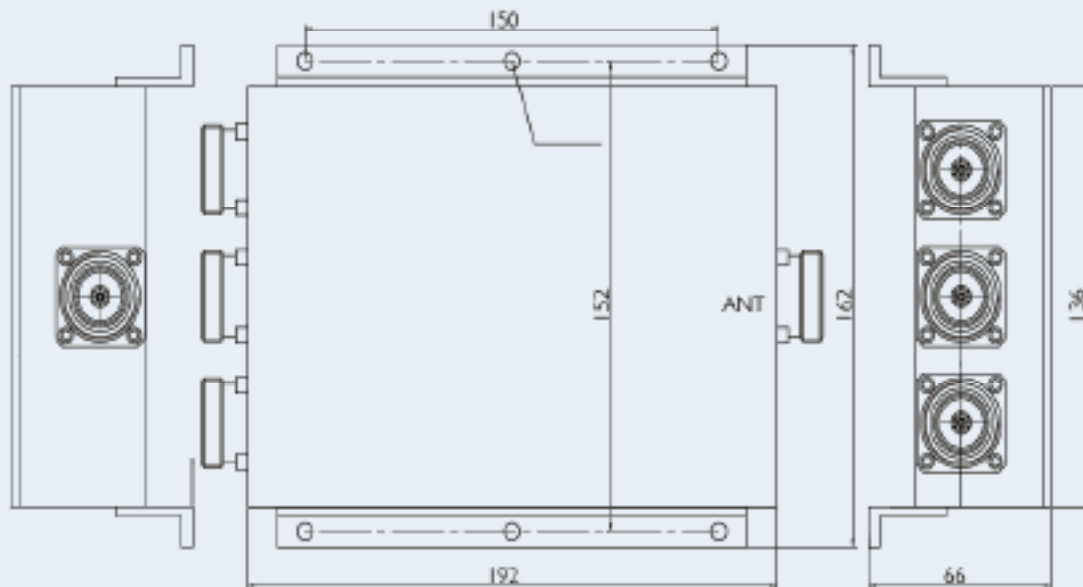
Widely used for Cellular DCS/CDMA/GSM/UMTS/WIFI/WIMAX/LTE etc.



Technical Parameters:

Part No.	HM-TFC-C&G/D&3G/LTE-143		
Channels	CDMA/GSM	DCS/3G	LTE
Frequency Range(MHz)	824-894	1850-1990	2400-2690
Band Width(MHz)	70	140	165
Insertion Loss(dB)	≤0.2	≤0.3	≤0.3
Out-of-band rejection(dB)	≥15@DCS/3G ≥15@LTE	≥15@CDMA/GSM ≥15@LTE	≥15@CDMA/GSM ≥15@DCS/3G
Return Loss(dB)	≥15	≥15	≥15
Impedance(Ω)	50		
Power Rating (W)	200		
PTM3(dBc)	≤-143@+43dBmX2		
Connectors	DIN-F		
Temperature Range(°C)	-33~+55		
Mounting accessories	Wall Mountable Installation Bracket include		
Application	Indoor & Outdoor		

Dimension (in mm)

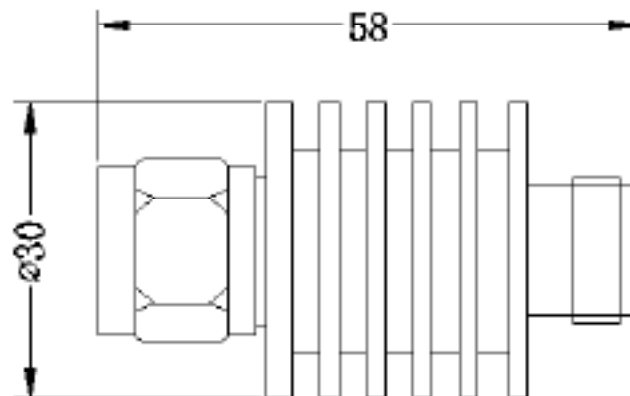


Attenuator 5W

Coaxial fixed attenuators are used to absorb energy of transmission line, expanding power range and controlling power level, they are also used in accurately measuring power or spectrum of RF microwave transmitters accompany with small power meter, comprehensive tester or spectrum analyzer.



Item Name:	Fixed Attenuator					
Power:	5 W					
Frequency:	DC-3000MHz					
Impedance:	50 Ω					
Connector:	N Male or Female					
V.S.W.R:	≤ 1.20					
Attenuation Value:	1~30 dB					
Attenuation:	3dB	6dB	10dB	15dB	20dB	30dB
Passband Ripple:	±0.4	±0.4	±0.5	±0.5	±0.6	±0.8
Accuracy:	≤0.3	≤0.5	≤0.7	≤0.8	≤0.8	≤1.0
PIM	≤-120dBc					
Temperature	-55℃~+85℃					
Dimension	φ30×58					
Weight	76g					
Annotation:	Indoor Use					



Attenuator 50W

Coaxial fixed attenuators are used to absorb energy of transmission line, expanding power range and controlling power level, they are also used in accurately measuring power or spectrum of RF microwave transmitters accompany with small power meter, comprehensive tester or spectrum analyzer.



Item Name:	Fixed Attenuator					
Power:	50 W					
Frequency:	DC-3000MHz					
Impedance:	50 Ω					
Connector:	N Male or Female					
V.S.W.R:	≤1.20					
Attenuation Value:	1~30 dB					
Attenuation:	3dB	6dB	10dB	15dB	20dB	30dB
Passband Ripple	±0.4	±0.4	±0.5	±0.5	±0.6	±0.8
Accuracy:	≤0.3	≤0.5	≤0.7	≤0.8	≤0.8	≤1.0
PIM	≤-120dBc					
Temperature:	-55℃~+85℃					
Dimension	60X60X60mm					
Weight	388g					
Annotation:	Indoor Use					

